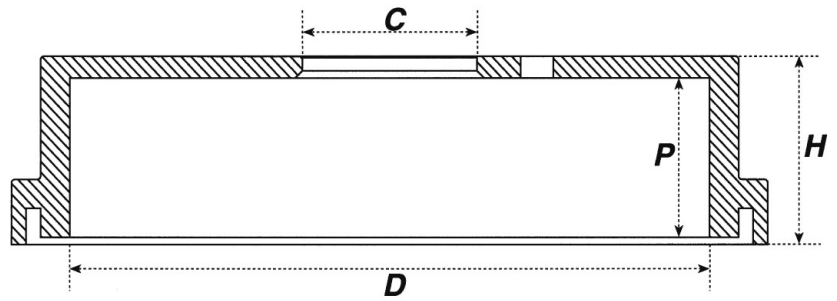
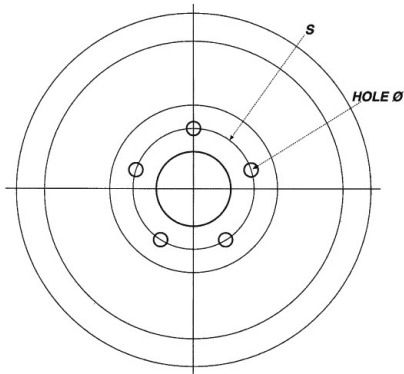


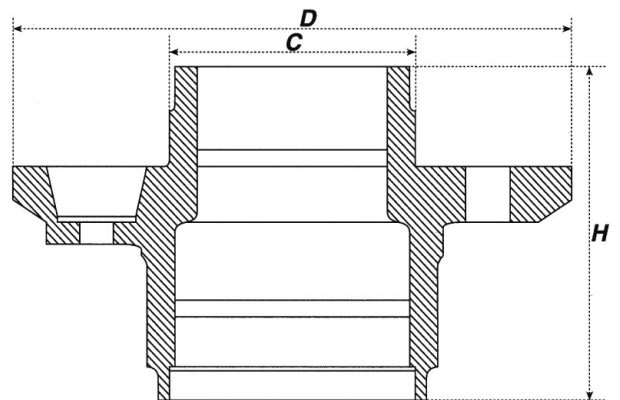
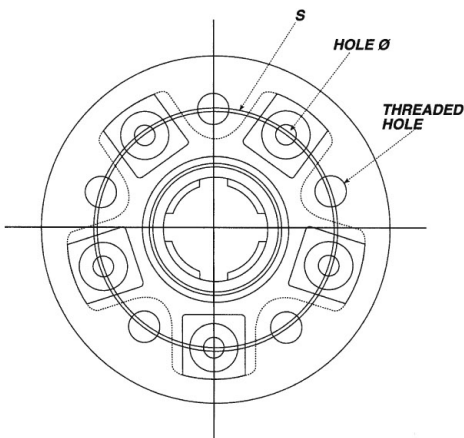
DRUM



Key

D:	Inside Diameter	C:	Hub diameter
P:	Brake path	S:	PCD of stud holes
H:	Height	Ø:	Diameter of stud hole

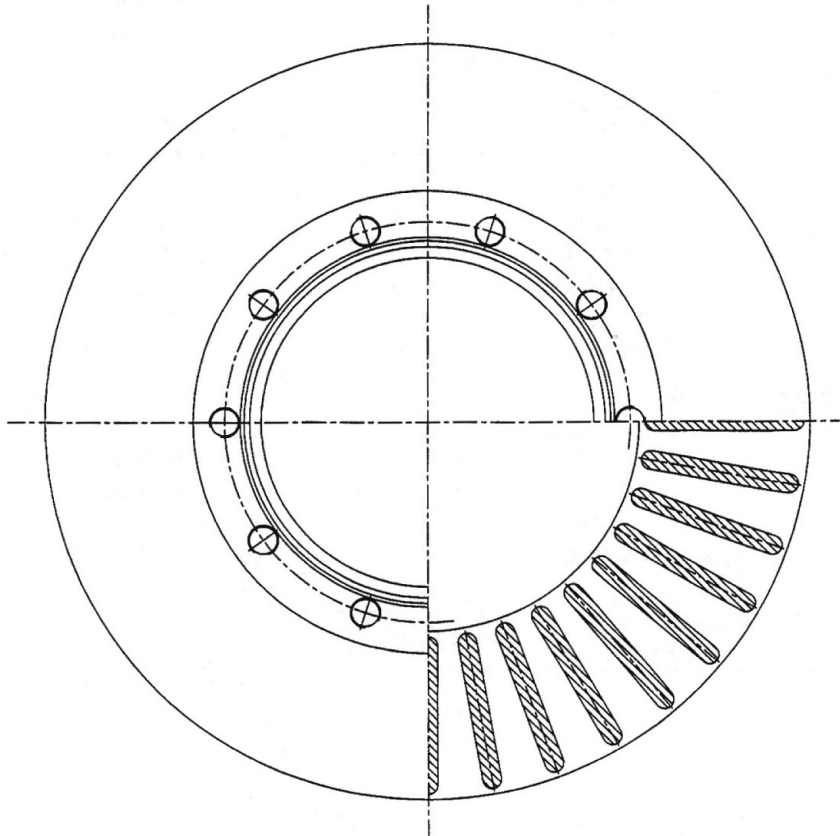
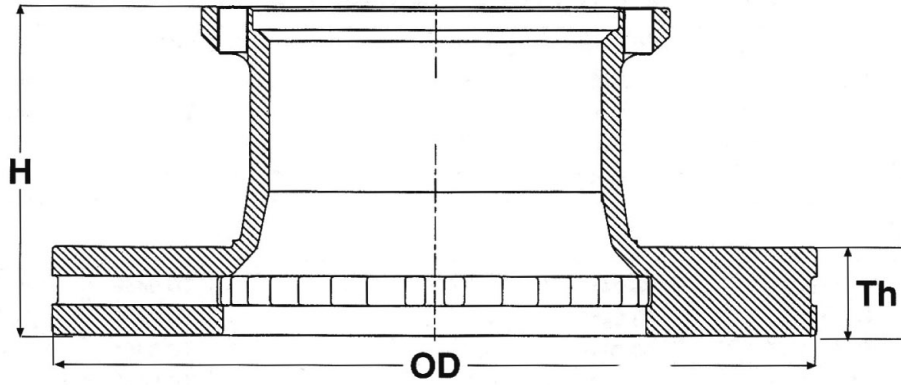
HUB



Key

D:	Outside Diameter	S:	PCD of stud holes
H:	Height	Ø:	Diameter of stud hole
C:	Hub diameter	M:	Threaded hole

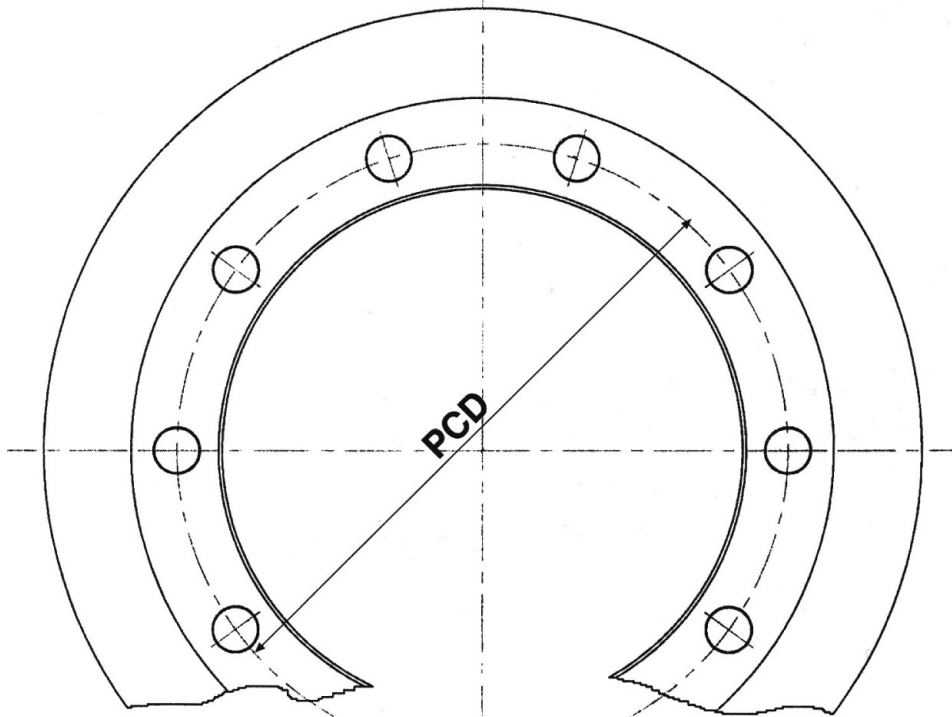
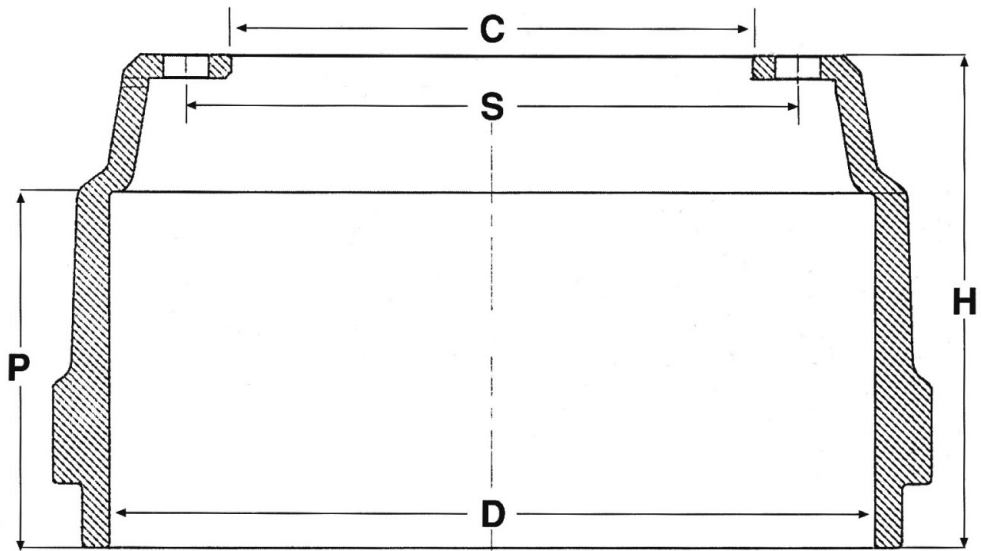
DISC



Key

H:	Overall Height	Th:	Standard Thickness
OD:	Outside Diameter	TH (Min):	Minimum Thickness

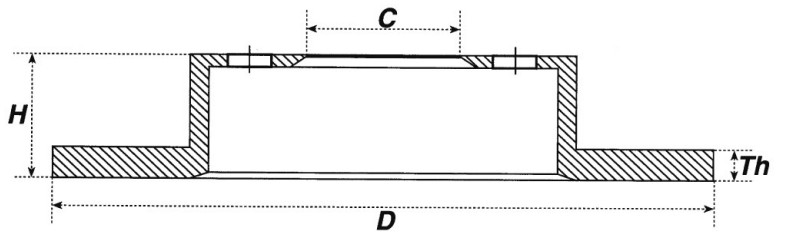
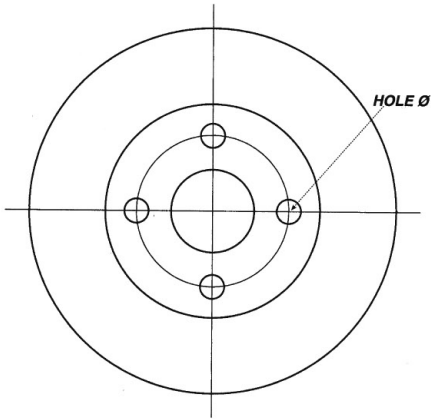
DRUM



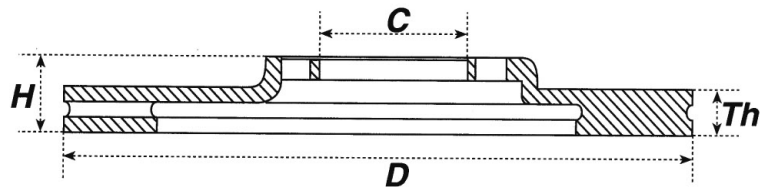
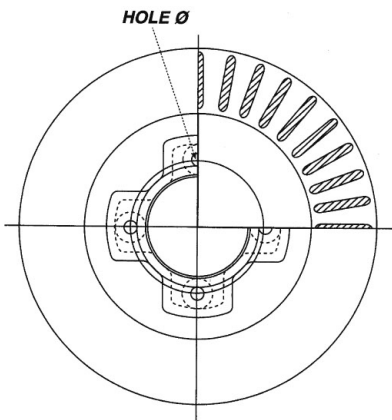
Key

D:	Standard Internal Diameter	C:	Spigot Diameter
P:	Brake Path Width	PCD:	Hole Circle Diameter
H:	Overall Height		

SOLID DISC



VENTILATED DISC



Key

H:	Height	Th:	Blade Thickness
D:	Diameter	TH (min):	Blade Thickness (min)
C:	Spigot diameter	Ø:	Diameter of stud hole